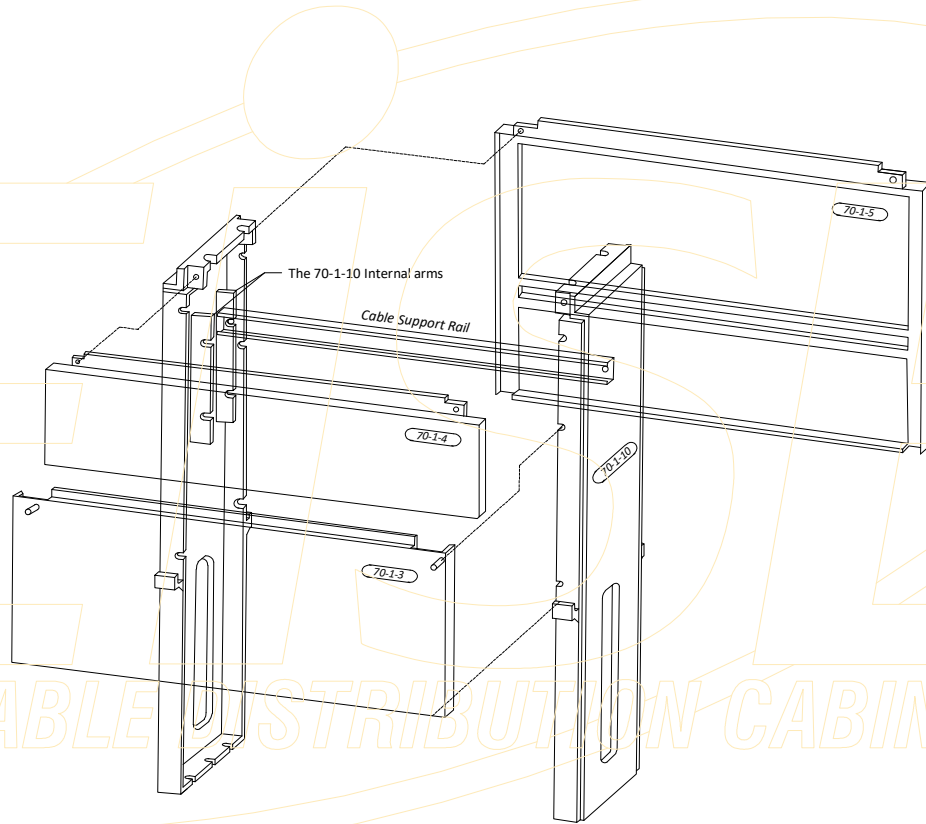


www.eiseco.com



REFERENCE DRAWING	DWG NO.
----	----

NOTE
All equipment is magnified for better visibility

KEY PLAN

ENG.PHASE	COMMENT	COMMENT	Owner's Action
Eng. Phase			

00	APPROVE			-		
REV.	ISSUE DATE	DESCRIPTION	PREPARED BY	CHECKED BY	APPROVED BY	AUTHORIZED BY

OWNER: PROJECT: VENDOR:

DRAWING TITLE:
GRP Cabinet Foundation Exploded View

OWNER NO. :	REV.	SH.	SIZE	SCALE
VENDOR NO. :	00	-	A3	-