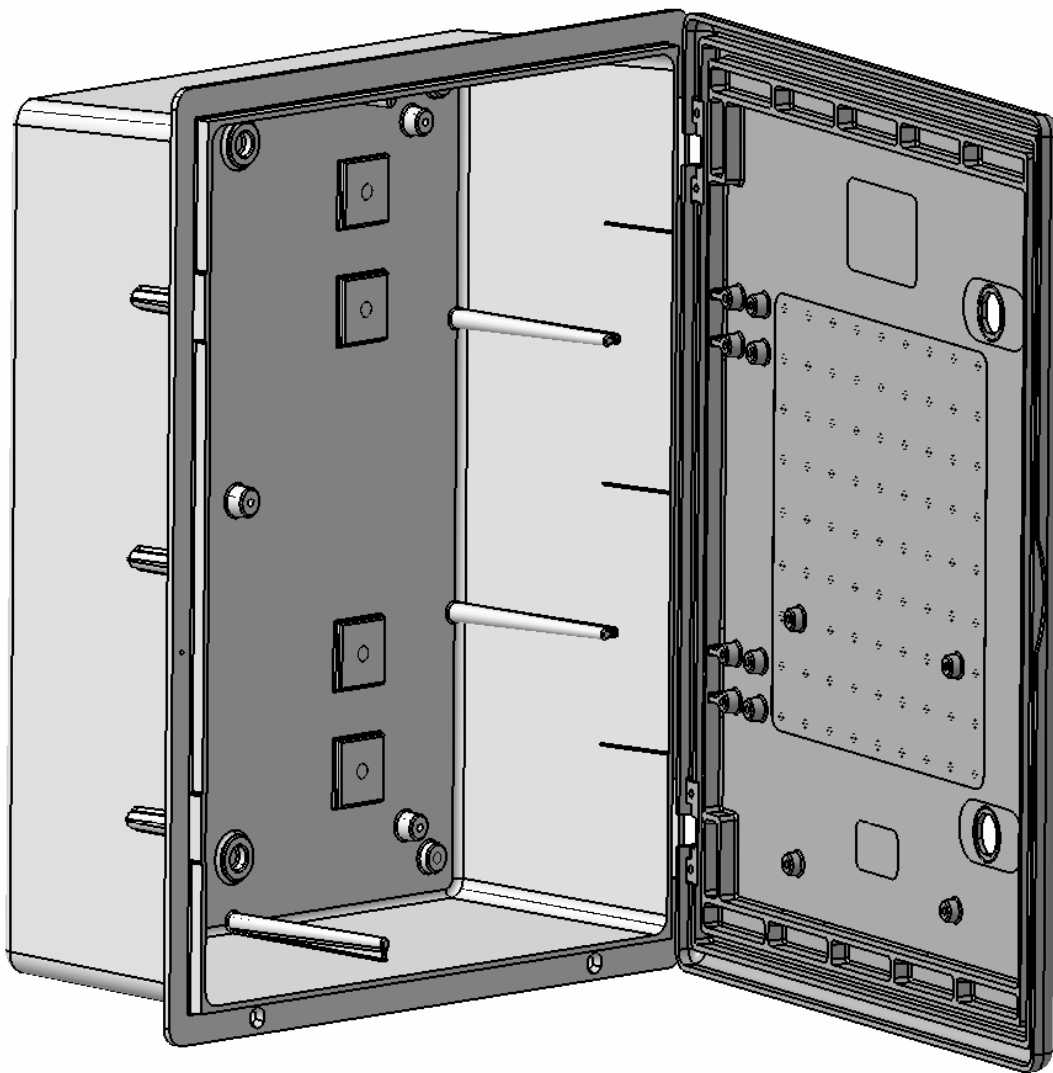




Emen Ista Electric Co.
Hot Pressed GRP Enclosures Manufacturer

EISECO. M-Series GRP Multipurpose Boxes (IP65)

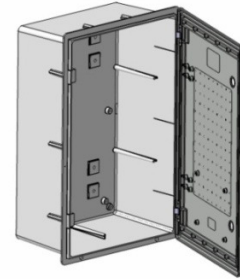


EISECO. M-Series GRP Multipurpose Boxes (IP65)

Introduction

EISECO. M-Series Polyester Boxes are multipurpose enclosures made for use in heavy duty climate for varied range of usages such as metering, control, communication, pneumatic, hydraulic, traffic, power distribution, precision tools, etc.

M-Series boxes made of hot molded fiberglass reinforced polyester (GRP) that guaranteeing high impact and corrosion resistance attributes while they are easy to drilling or punching to mount any signal or control equipments on the box door or body.



Features

- **CLIMATE RESISTANT**
Polyester base raw materials made M-Series boxes possible to have high corrosion and UV resistance for outdoor usages in heavy duty climate.
- **HEAT RESISTANT**
M-series boxes can operate in temperature from -50°C up to 220°C continual.
- **CHEMICALS RESISTANT**
M-Series boxes are resistant to chemicals especially acidic environments.
- **ELECTRICALLY INSULATED**
M-series boxes framework are high dielectric strength which able them safe, suitable and compatible for L.V. and telecommunication applications.
- **ENVIRONMENT PROTECTED**
IP 65; according to IEC 60529
- **IMPACT RESISTANT**
IK10 20J; according to IEC62262
- **SELF EXTINGUISH**
V0; according to UL94
- **COLOR**
Default color is light gray (RAL7035)

Accessories

- PVC mounting plate (to mounting electrical or any other equipments in the box)
- Bar mounting brackets (to mounting the box on the bar)
- Interior PVC door (to limiting inadmissible access to the equipments)
- Exterior door outfitted by transparent window (to make interior equipments visible)

Available sizes

- **M-5535:** External Dimensions: 590*390*220 mm (Mounting plate size: 520*320 mm)
- **M-4535:** External Dimensions: 490*390*160 mm (Mounting plate size: 420*320 mm)

Web: www.eiseco.com Email: info@eiseco.com Tel: +98(21)88708136-7 Fax: +98(21)88708135